

3-tlg. Edelstahl-Kugelhahn Typ KM_ 3-pc-stainless steel ball valve type KM_

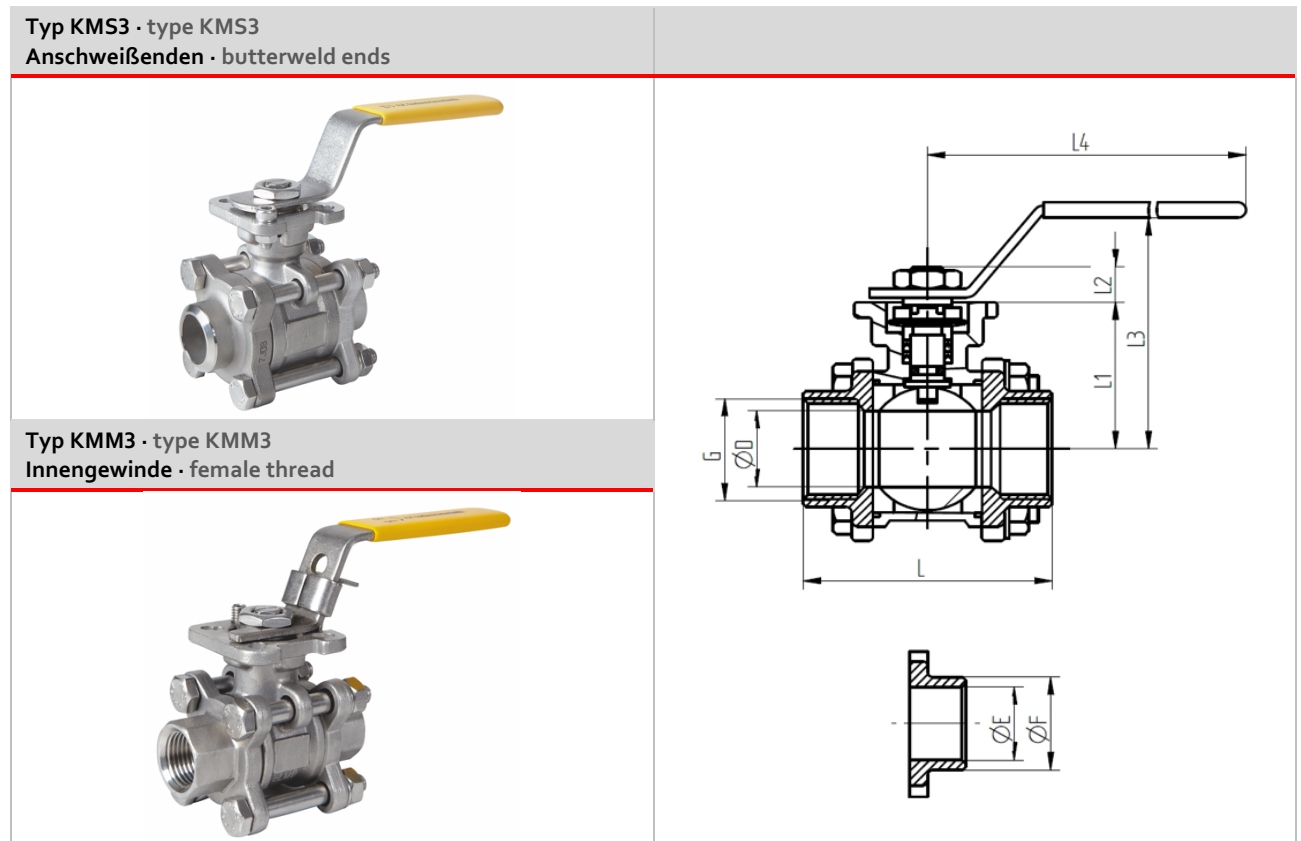


Abbildung ggf. abweichend · picture may be different

| Material | | material | |
|----------------------|--------------------------------------|-----------|---------------------------------------|
| Gehäuse | Edelstahl 1.4408 | body | stainless steel 1.4408 |
| Kugel | Edelstahl 1.4408 | ball | stainless steel 1.4408 |
| Schaltwelle | Edelstahl 1.4401 | stem | stainless steel 1.4401 |
| Anschlüsse | Edelstahl 1.4408 | caps | stainless steel 1.4408 |
| Kugeldichtung | PTFE | ball seal | PTFE |
| Schaltwellendichtung | PTFE und FKM O-Ring | stem seal | PTFE and FKM o-ring |
| Griff | Edelstahl 1.4301 mit PVC Ummantelung | handle | stainless steel 1.4301 with PVC cover |

| Merkmale | details |
|--|---|
| <ul style="list-style-type: none"> ▶ 3-teiliger Kugelhahn zum Absperrn des Leitungssystems für gasförmige und flüssige Medien im Rahmen der verwendeten Werkstoffe ▶ Anschlüsse: Typ KMS3 Anschweißenden Typ KMM3 Innengewinde ISO 228 | <ul style="list-style-type: none"> ▶ 3-piece ball valve to shut off the line system for gaseous and fluid media in line of the materials ▶ connections: type KMS3 butt weld ends type KMM3 female thread acc. ISO 228 |

3-tlg. Edelstahl-Kugelhahn Typ KM_ 3-pc-stainless steel ball valve type KM_

| Merkmale | details |
|---|---|
| ▶ Druck: PN67 bis 2" (temperaturabhängig) | ▶ pressure: PN67 up to 2" (temp.-dependent) |
| ▶ Temperaturbereich: -20 °C ... +150 °C | ▶ temperature range: -20 °C ... +150 °C |
| ▶ voller Durchgang | ▶ full bore |
| ▶ anti-statische Ausführung | ▶ anti-static design |
| ▶ Montageflansch | ▶ mounting flange acc. to ISO 5211 |
| ▶ silikonfrei | ▶ free of silicone |
| auf Anfrage: | on request: |
| ▶ andere Nennweiten | ▶ other nominal sizes |

| Bestellinformation KMS3 - order information KMS3 | | | | | | | | | | |
|--|----|----|----|-----|----|----|-----|-----|-------------|--------------------------|
| Bezeichnung type | ØD | ØE | ØF | L | L1 | L2 | L3 | L4 | ISO 5211 | Bestell-Nr. order-no. |
| KMS3.2-010-G3/8 | 12 | — | — | — | 36 | 9 | 73 | 111 | F03 / F04 | 13-132-010-002 |
| KMS3.2-016-G1/2 | 15 | 18 | 22 | 73 | 36 | 9 | 73 | 111 | F03 / F04 | 13-132-016-002 |
| KMS3.2-020-G3/4 | 20 | 23 | 28 | 84 | 41 | 9 | 78 | 111 | F03 / F04 | 13-132-020-002 |
| KMS3.2-025-G1 | 25 | 28 | 32 | 95 | 50 | 11 | 88 | 186 | F04 / F05 | 13-132-026-002 |
| KMS3.2-032-G1 1/4 | 32 | 35 | 40 | 100 | 56 | 11 | 94 | 186 | F04 / F05 | 13-132-032-002 |
| KMS3.2-038-G1 1/2 | 38 | 41 | 46 | 120 | 70 | 14 | 109 | 197 | F05 / F07 | 13-132-038-002 |
| KMS3.2-050-G2 | 50 | 53 | 60 | 135 | 78 | 14 | 117 | 197 | F05 / F07 | 13-132-050-002 |

| Bestellinformation KMS3 - order information KMS3 | | | | | | | | | | |
|--|----|--------|-----|----|----|-----|-----|-------------|--------------------------|--|
| Bezeichnung type | ØD | G | L | L1 | L2 | L3 | L4 | ISO 5211 | Bestell-Nr. order-no. | |
| KMM3.2-010-G3/8 | 15 | 3/8" | 66 | 36 | 9 | 73 | 111 | F03 / F04 | 13-131-010-002 | |
| KMM3.2-016-G1/2 | 15 | 1/2" | 66 | 36 | 9 | 73 | 111 | F03 / F04 | 13-131-016-002 | |
| KMM3.2-020-G3/4 | 20 | 3/4" | 71 | 41 | 9 | 78 | 111 | F03 / F04 | 13-131-020-002 | |
| KMM3.2-025-G1 | 25 | 1" | 87 | 50 | 11 | 88 | 186 | F04 / F05 | 13-131-026-002 | |
| KMM3.2-032-G1 1/4 | 32 | 1 1/4" | 96 | 56 | 11 | 94 | 186 | F04 / F05 | 13-131-032-002 | |
| KMM3.2-038-G1 1/2 | 38 | 1 1/2" | 114 | 70 | 14 | 109 | 197 | F05 / F07 | 13-131-038-002 | |
| KMM3.2-050-G2 | 50 | 2" | 129 | 78 | 14 | 117 | 197 | F05 / F07 | 13-131-050-002 | |